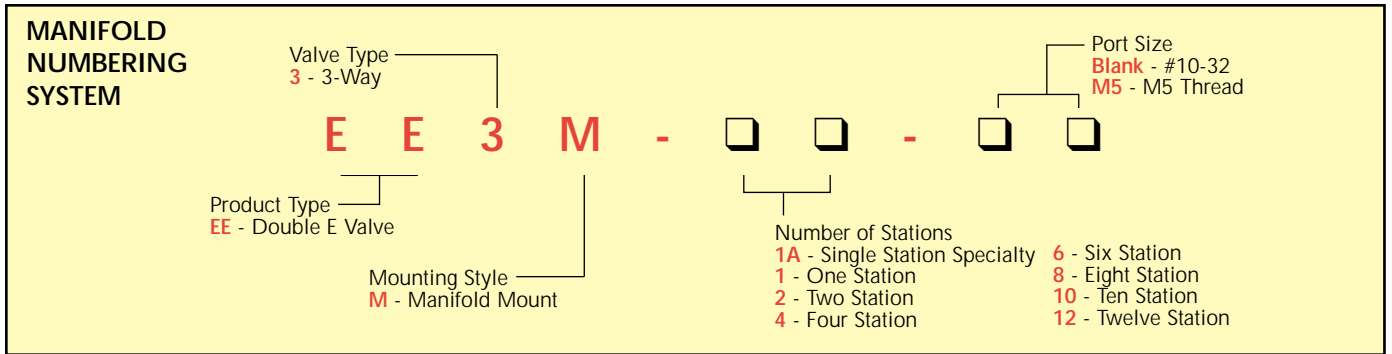
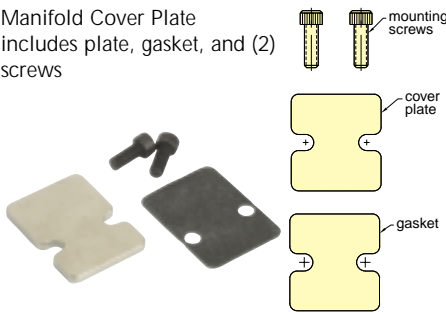


# EE3 SERIES SUB-MINIATURE VALVE MANIFOLDS



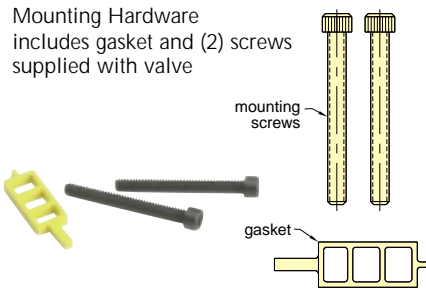
## EE3M-CP

Manifold Cover Plate includes plate, gasket, and (2) screws



## EE3M-MH

Mounting Hardware includes gasket and (2) screws supplied with valve

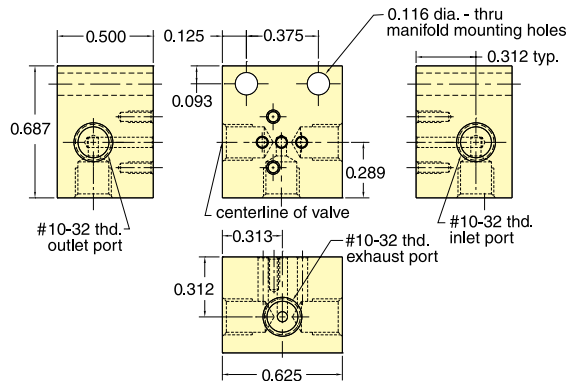


## C2A-RB12

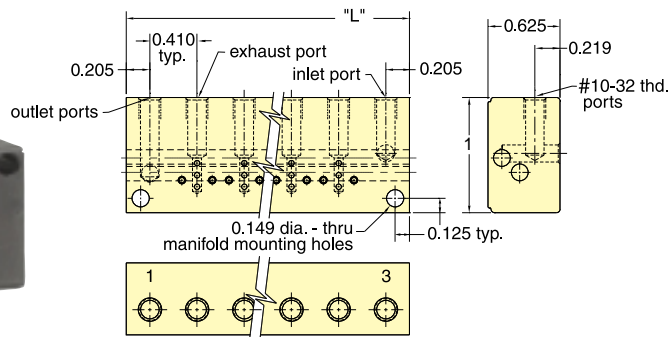
Wire Connector includes connector with 12" wire leads supplied with valve



## EE3M-1A



## EE3M-□□



| Dash # | Station | "L"   |
|--------|---------|-------|
| -01    | 1       | 1.230 |
| -02    | 2       | 1.640 |
| -04    | 4       | 2.460 |
| -06    | 6       | 3.280 |
| -08    | 8       | 4.100 |
| -10    | 10      | 4.920 |
| -12    | 12      | 5.740 |